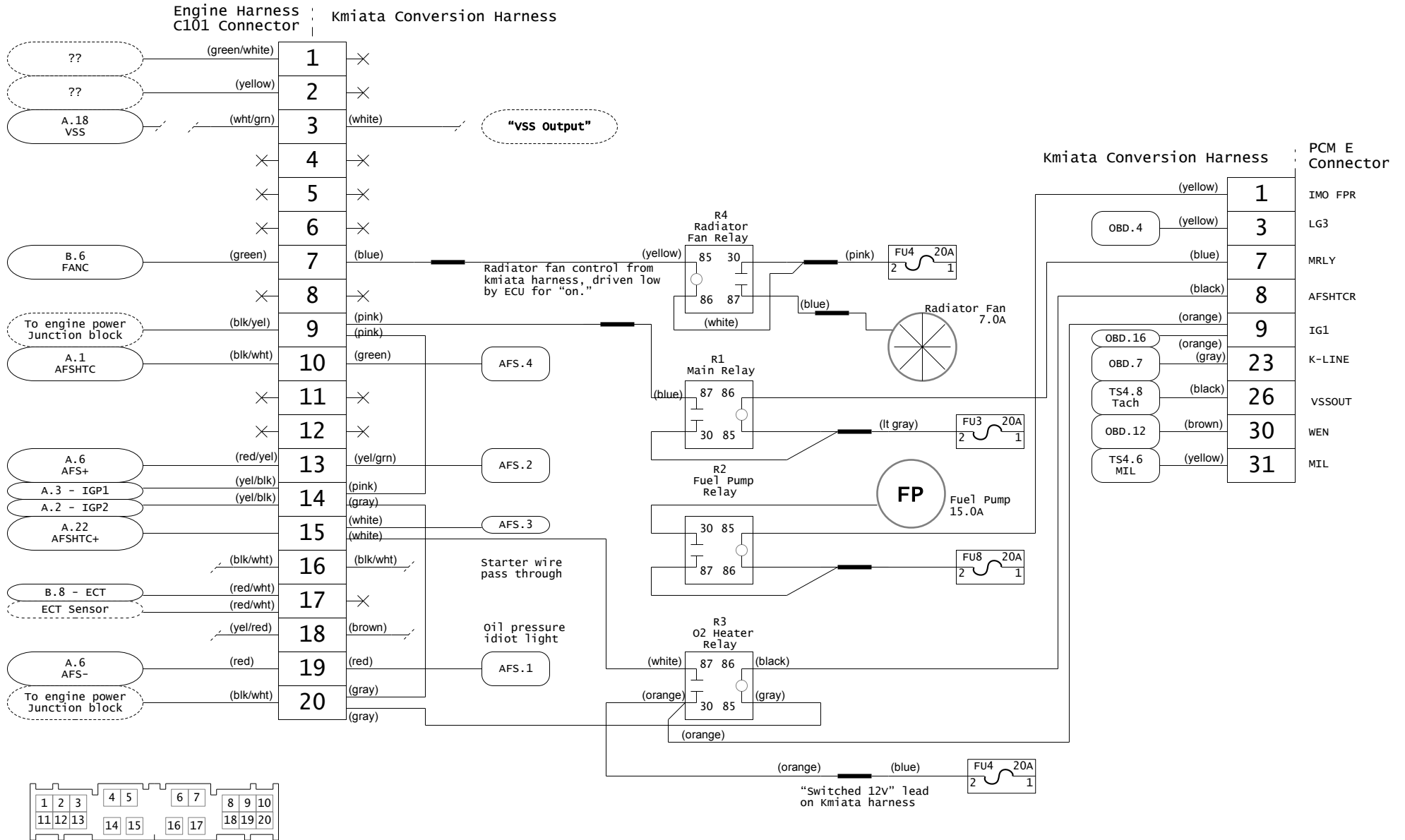


Kmiata Conversion Harness Wiring Diagram

R1 and R2 relay wiring modified from original to use separate fuses.



C101 Connector
Looking at engine harness wire side

Note: Engine wiring harness: 32110-PRB-A00 '02-'04 Acura RSX, ECU IS '03 Civic SI MT with KPro4